

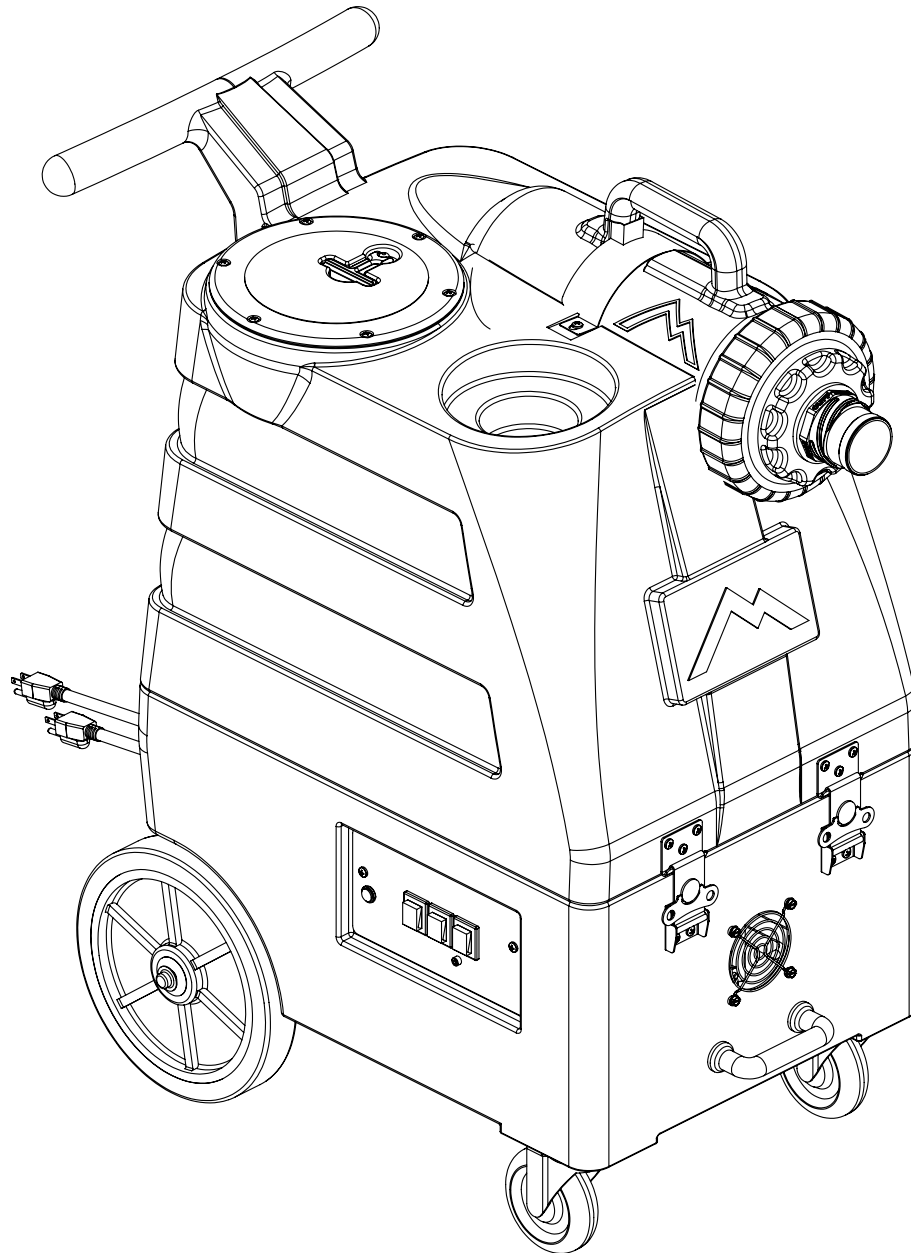
Instructions for 7000DX Flood Hog™



Please read before use.



Register your product
at: [http://www.mytee.com/
support/register](http://www.mytee.com/support/register)



Set up p. 2
Parts & Pricing p. 6
Wiring diagram p. 8
General information p.9
Notes p.12

Model # _____

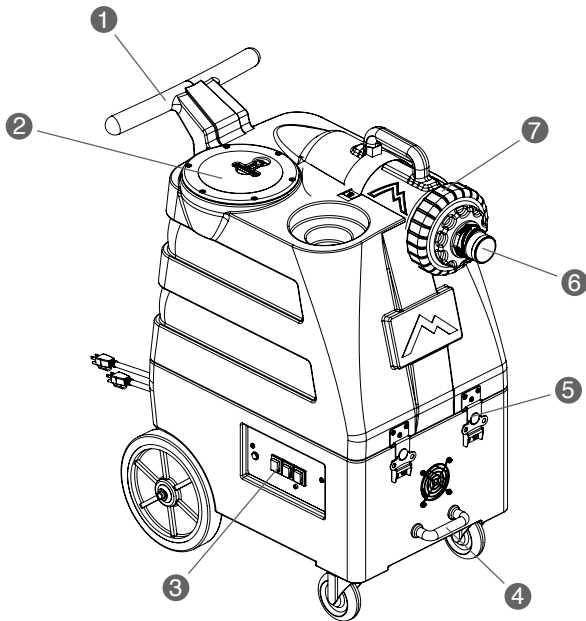
Serial # _____

Form # ADM-7000DX

8-13

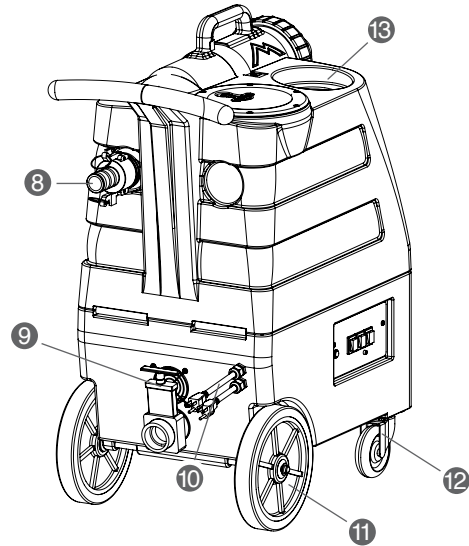
7000DX FLOOD HOG

7000DX FRONT



- 1. Handle
- 2. Recovery Tank Lid
- 3. Operating Controls
- 4. Lift Handle
- 5. EZ Open Service Latches
- 6. Vacuum Hose Hook-up
- 7. On Board Filter

7000DX BACK



- 8. Auto Pump Out Fitting
- 9. Drain Valve
- 10. 25' Power Cord
- 11. 10" Stair Climbing Wheels
- 12. Swivel Locking Casters
- 13. Chemical Storage

7000DX ACCESSORIES



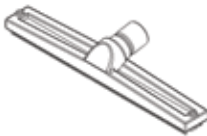
H908 - 2 Piece Aluminum Wand Tube



P570 - Scalloped Vacuum Head



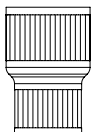
H294 - 1.5" x 25' Vacuum Hose (x2)



G200 - Squeegee Vacuum Head

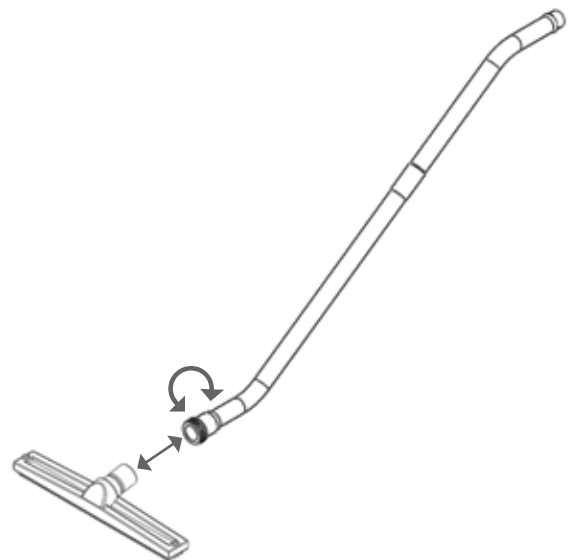


G008 - Pack Of Filters



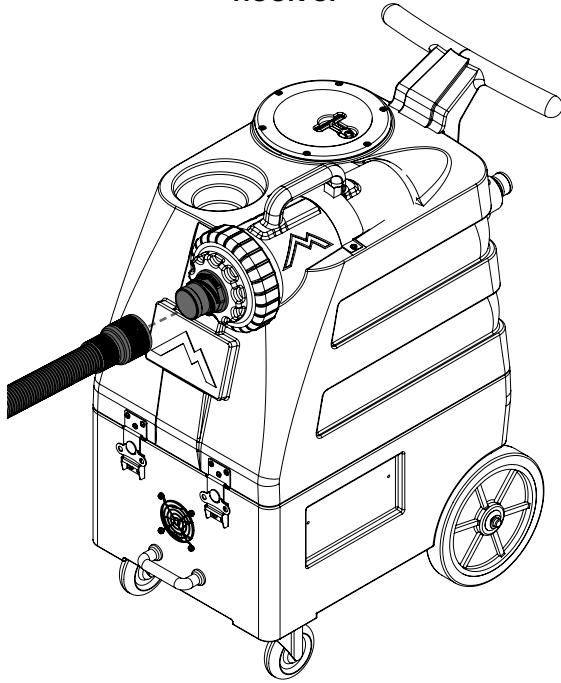
H141 - 2" x 1.5" Cuff Lynx™ Reducer

WAND INTERCHANGEABLE HEADS



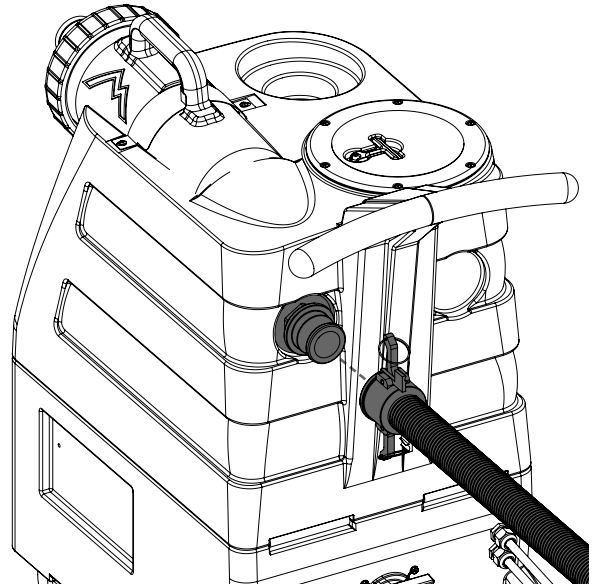
Select either vacuum head and attach to wand. Insert head and tighten collar.

7000DX FRONT VACUUM/DEBRIS FILTER HOSE HOOK UP



Attach the hose with the 1.5" Cuff-Lynx™ reducer to the onboard debris filter. Attach other end of same hose to wand tube.

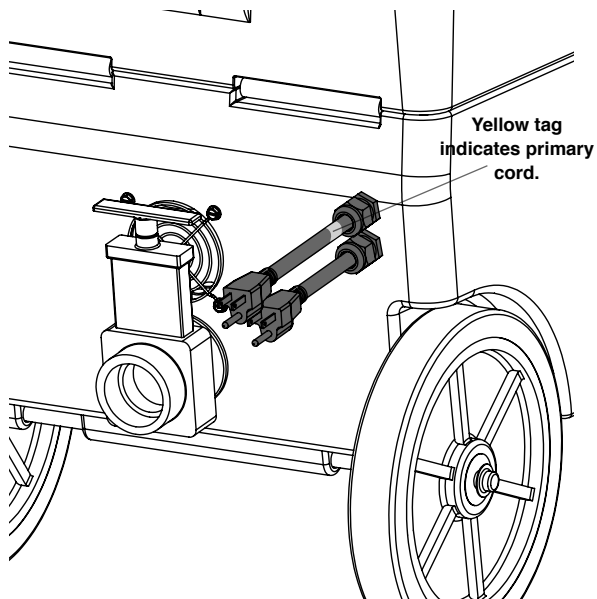
7000DX BACK VACUUM HOSE/AUTO PUMP-OUT HOSE HOOK UP



Attach the second hose bearing cam lock to the Auto Pump-out fitting. Secure the hose to the fitting using the cam lock. Push the hose cuff onto the fitting, making sure the silver ears and rings are extended forward. Pull the ears down using the rings until connection is tight. Place the end of the hose in a location where dirty water can drain.

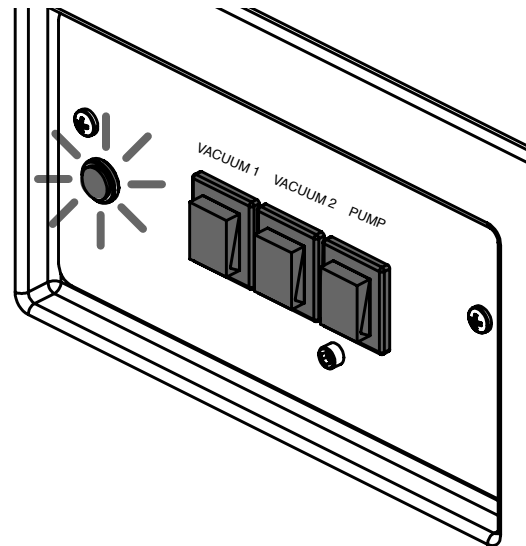
7000DX DUAL CORDS

Top cord: Powers Vac 1 & Pump.
Bottom cord: Powers Vac 2.



Plug each power cord into a separate, 20A grounded wall outlet. **Outlets must be on two separate breakers.** When the amber light on the switch plate illuminates, the machine is on separate circuits (not necessarily 20A circuits). You can identify the primary cord by the yellow tag.

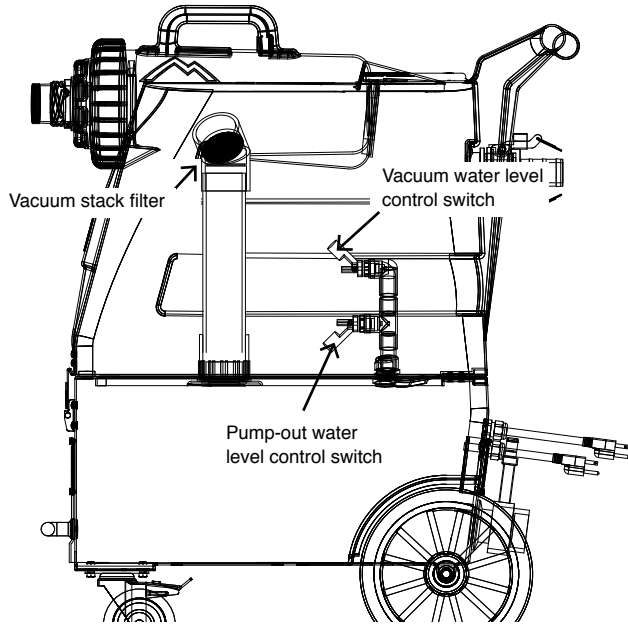
7000DX SWITCHES



Three switches are located on the lower left side of the machine. To use either vacuum, turn on the Vacuum switch 1 or 2. To use the pump, turn on the Pump switch.

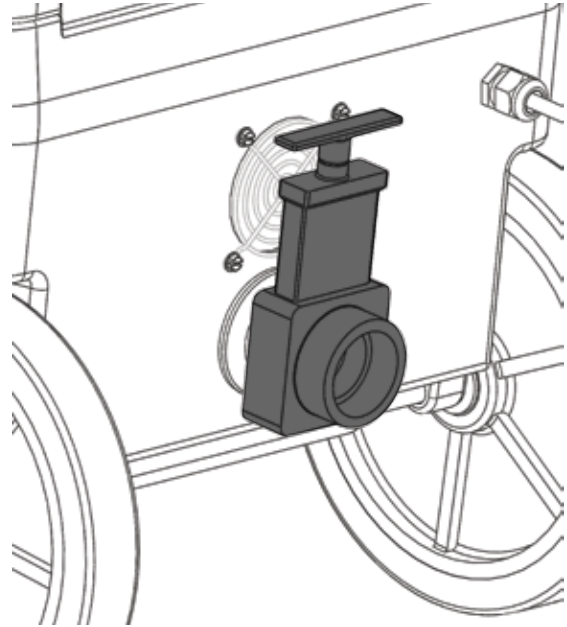
7000DX FLOOD HOG

7000DX WATER LEVEL CONTROL SWITCHES



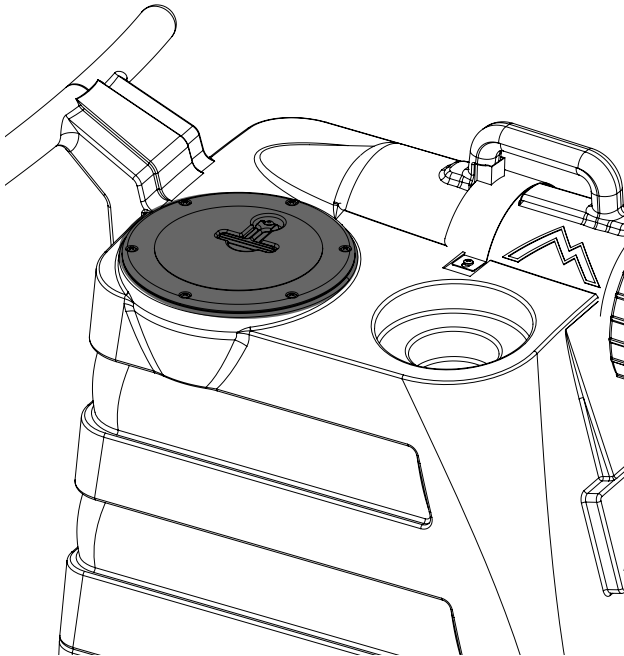
As the water level reaches the *pump-out water level control switch*, the pump is activated. Once the water level reaches the *vacuum water level control switch*, the vacuum shuts off preventing the water from going into the vacuum stack, damaging the vacuum motors. At the top of the vacuum stack, there is a filter. Clean it weekly.

7000DX DRAIN VALVE AND SPOUT



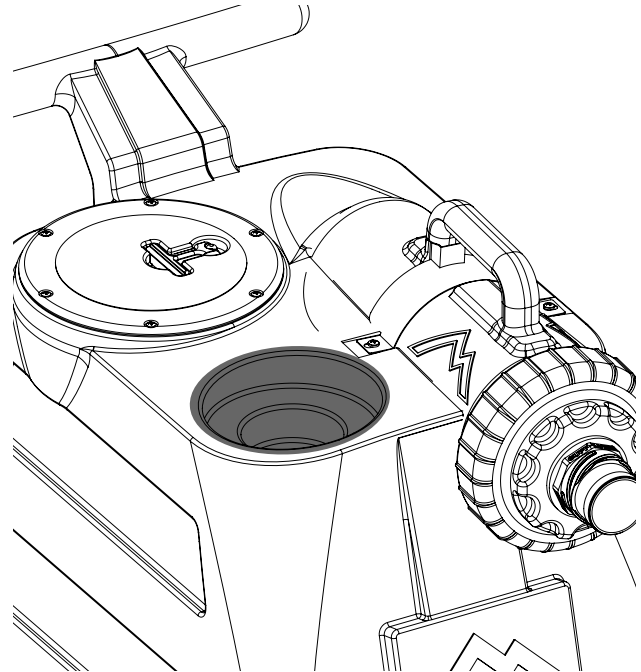
When not using the Auto Pump-out, empty the tank by using the back drain valve and spout.

7000DX RECOVERY TANK LID



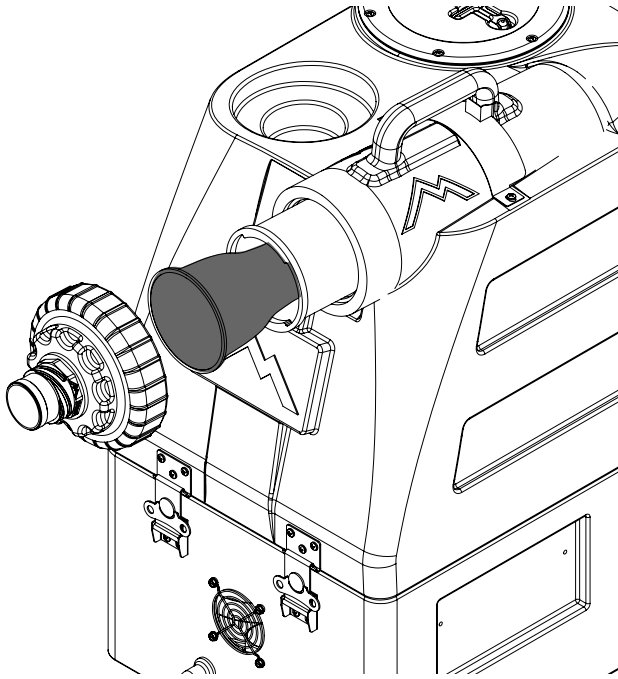
Open recovery tank lid, by pulling the lever up and turn. Pull up and take the lid off. Use reverse procedure to replace.

7000DX CHEMICAL STORAGE



On board chemical storage will hold either quart or gallon jugs.

7000DX DEBRIS FILTER



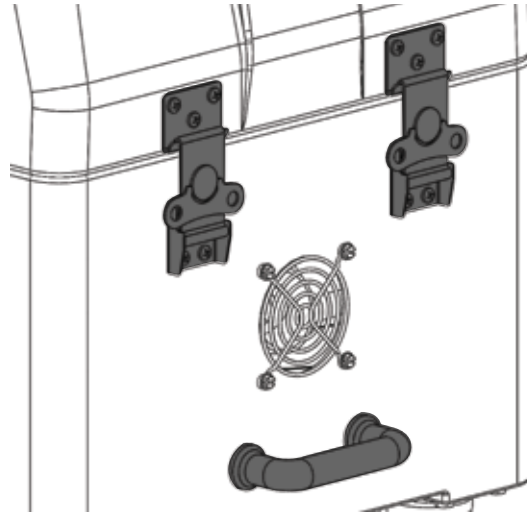
The filter protects the vacuum motor from damaging debris. Keep it clean by removing vacuum hose and turning lid counter-clockwise to open. Remove stainless steel basket and gently rinse with water. Dry with a soft cloth. Replace basket, lid and hose.

7000DX LATCHES AND LIFT HANDLE

LATCHES:

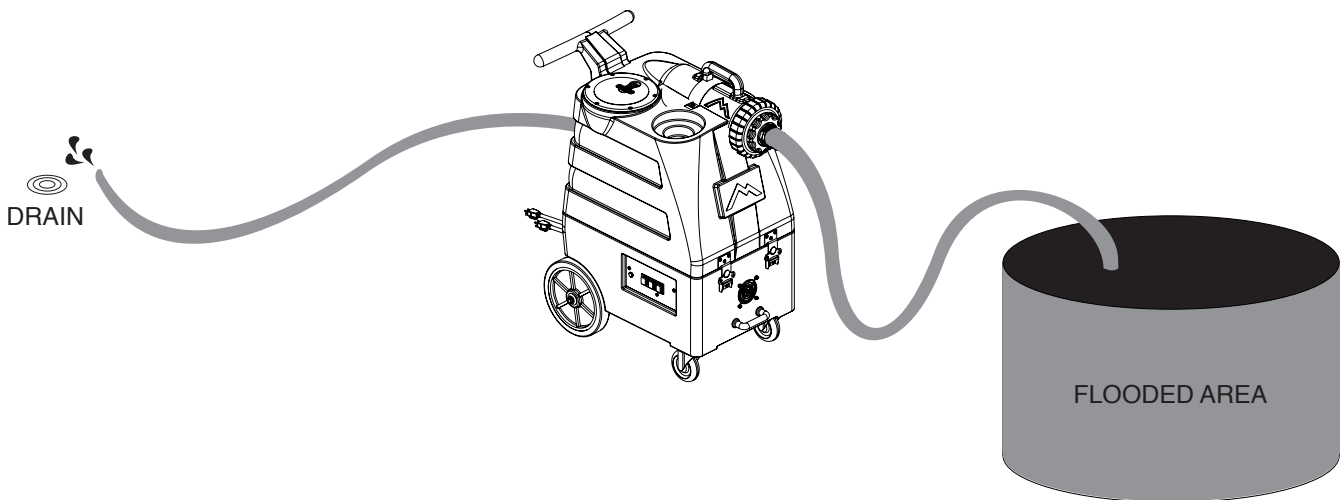
Detach: Flip-up latch.
Twist counter clockwise
for release.

Attach: Place latch.
Twist clockwise
Press latch to secure.



LIFT HANDLE: Use lift handle to prevent damage to unit.

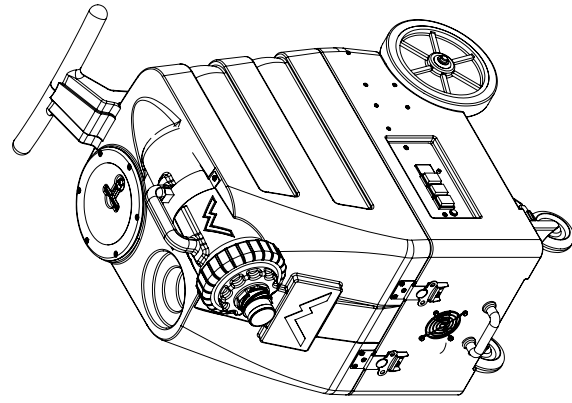
7000DX FLOOD HOG™ IN USE



Flood Hog™ pumps up to 70 GPM.

7000DX FLOOD HOG PARTS & PRICING

ITEM NO.	PART NO.	DESCRIPTION	QTY.	MSRP
1	H485	handle, breeze and dx	1	\$6.99 ea
2	H768	bolt, 1/4-20 x 3/4" serrated hex flange, zinc	11	\$0.99 ea
3	H211	washer, 1/4" id x 1" od, flat, s/s	4	\$0.99 ea
4	H343	screw, 10 x 5/8" hex head, zinc	9	\$0.99 ea
5	H296	guard, cooling fan, wire	2	\$2.99 ea
6	H486	latch, front breeze	2	\$13.99 ea
7	H230	screw, 10-32 x 1/2" phil pan head, s/s	34	\$0.99 ea
8	H273	nut, kep, #10-32 zinc	16	\$0.99 ea
9	P696	base, breeze	1	\$135.99 ea
10	G068	bumper, 7/8" x 1/4" head	2	\$1.99 ea
11	H202	bolt, 1/4x20x3/4" hex head	6	\$0.99 ea
12	H601	plate, manifold, parallel	1	\$13.49 ea
13	H210	washer, 1/4" flat, s/s	11	\$0.99 ea
14	G059	exhaust boot, plastisol	2	\$4.99 ea
15	H217	clamp, hose, 2-1/4 dia	7	\$1.49 ea
16	H216	nut, lock, 1/4-20, nylon insert, s/s	11	\$0.99 ea
17	H501	vac support, 3 stage, 4-1/16"	6	\$4.99 ea
18	P750	manifold, dual vac, parallel	1	\$15.99 ea
19	G004	gasket, vac motor - Speedster	2	\$8.99 ea
20	C302A	vac motor, 3-stage hp, 120V, 145"	2	\$148.99 ea
21	H135	Cuff-Lynx, 2" m cuff x 2" mpt	1	\$3.99 ea
22	P561	cap, 6", threaded, w/ 2" npt	1	\$23.99 ea
23	G031	gasket, 3.25" i.d. x 5.88" o.d.	2	\$6.99 ea
24	H359	basket, strainer, 4.5 DIA x 12.5	1	\$36.99 ea
25	P563	filter, body, inline, w/2" npt	1	\$34.99 ea
26	H972	strap, leaf trap, flood hog	1	\$24.99 ea
27	G075	gasket, vacuum, ml ll	1	\$7.99 ea
28	P567	adapter, pvc, 2" fslip x 2" mpt	3	\$4.99 ea
29	G022	filter, foam, 2-3/8" x 1"	1	\$2.99 ea
30	G021	screen, mesh filter, 2-3/8" dia	1	\$4.99 ea
31	P683	elbow, 45 deg, 2" pvc	1	\$8.99 ea
32	P682-10	pipe, pvc, 2"	1	\$7.99/ft
33	P684	adapter, pvc, 2, fmsl x fmt	1	\$6.99 ea
34	G002	gasket, cam fitting polyethylene, 2.35" OD 1.90" ID	1	\$6.49 ea
35	H304	screw, #8 x 5/8 phil oval, s/s	6	\$0.99 ea
36	G090	lid, vac tank, clear, 7"	1	\$36.99 ea
37	G091	gasket, 7", vac lid	1	\$11.99 ea
38	P964	vac tank, portable pump out, flood extractor	1	\$165.99 ea
39	H243	elbow, 90, pvc, 1.5" fnt x fms	1	\$4.99 ea
40	H544	cuff hose, 2 X 2, wire reinforced	1	\$12.49 ea
41	PH628-8	vac hose, 2", black, wire reinforced	1	\$8.99 ea
42	H487	bracket, hinge	2	\$4.49 ea
43	H221	nut, lock, 1/2" steel	2	\$1.99 ea
44	H220	fitting, strain relief, cord	3	\$3.19 ea
45	E531	power cord, end, 25', 12/3 black	2	\$52.99 ea
46	C317	fan, cooling, 115V	1	\$21.49 ea
47	E628	Level Switch Control	1	\$91.99 ea
48	PH628-22	vac hose, 2", wire reinforced, gray	1	\$8.99 ft
49	H225	valve, drain, 1-1/2"	1	\$20.99 ea
50	PH633-03	pipe, pvc, 1-1/2"	2	\$4.99/ft
51	H298	elbow, 90, pvc, 1-1/2" si x sl	2	\$3.99 ea
52	PH633-4	pipe, pvc, 1-1/2"	1	\$4.99/ft
53	H186	screw, 10-32 x 3/4, phil flat full thread	6	\$0.99 ea
54	E370	controller, water level, dual pump or vac	1	\$94.99 ea
55	E564	controller, circuit light	1	\$62.99 ea
56	H392	wheel, 10"	2	\$35.49 ea
57	H219	cap, axle, 1/2"	2	\$0.99 ea
58	H371	axle, 18.25" x .50" dia	1	\$9.99 ea
59	H254	washer, axle, cut 1/2" id	4	\$0.99 ea
60	P967A	plug	1	\$1.99 ea
61	H389	screw, 10-32 x 1/2" SHCS, alloy	1	\$0.99 ea
62	E515	switch, rocker, 2 position	3	\$13.99 ea
63	E512B	light, indicator, 125v (amber)	1	\$9.99 ea
64	H641	plate, switch, RL 1200, 7000DX	1	\$6.99 ea
65	H668	caster, 4", black hub & gray tread	2	\$19.49 ea
66	H342	bolt, 1/4-20 x 1" hex head, s/s	8	\$0.99 ea
67	B271	bushing, hex, 3/8" mpt x 1/2" fpt	1	\$6.99 ea
68	C384	pump, 70GPM, pump out, 115V	1	\$429.99 ea
69	P682-1.5	pipe, pvc, 2"	1	\$7.99 ea
70	P674	check valve, swing, pvc 1-1/4"	1	\$25.00 ea
71	PH628-22	vac hose, 2", wire reinforced, gray	1	\$8.99 ft
72	H244	adapter, pvc, 1-1/2" fms x fmpmt	1	\$4.99 ea
73	G001	gasket, inlet, 1.80" i.d.	1	\$2.99 ea
74	H207	cam & groove fitting 1-1/2", male	1	\$21.99 ea
75	H205	cam & groove fitting 1-1/2", female	1	\$32.99 ea
76	H060	bracket, pump-out pump, 7000DX	1	\$6.99 ea
77	H213	washer, 1/4" lock, s/s	2	\$0.99 ea
78	H342	bolt, 1/4-20 x 1" hex head, s/s	2	\$0.99 ea
79	E373	level switch, vacuum shut-off, rear threads	2	\$8.99 ea
80	B210	bushing, brass, 1/2" mpt x 3/8" fpt hex	2	\$2.49 ea
81	P680	elbow, pvc 1/2" fnt x 1/2" fms	1	\$2.00 ea
82	P677-2.5	pipe, pvc, 1/2" x 20'	1	\$1.99 ft
83	P575	TEE 1/2" FSlip x 1/2" FSlip x 1/2" FPT	1	\$0.99 ea
84	P677-2	pipe, pvc, 1/2" x 20'	1	\$1.99 ft
85	P572	adapter, pvc, 1/2" fsip x 1/2" mpt	1	\$7.99 ea
86	P679	adapter, pvc, 1/2" fpt x s	1	\$3.99 ea



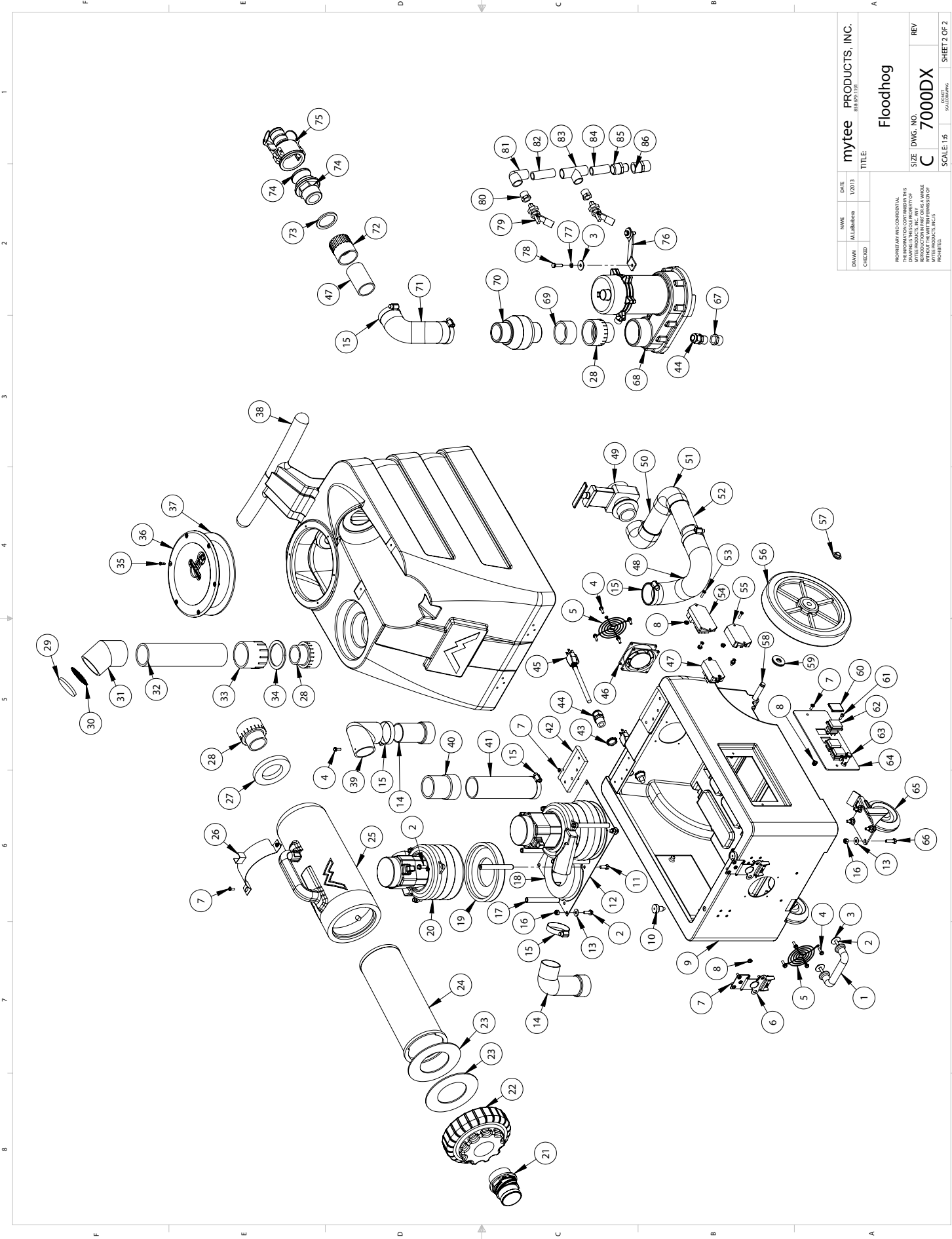
ITEMS NOT SHOWN

PART NO.	DESCRIPTION	QTY.	MSRP
G147	strap, velcro, w/buckle	2	\$3.49 ea
H294	vac hose, 1-1/2" x 25' SW	2	\$74.99
P570	head, scalloped, grey, wet/dry vacuuming	1	\$20.99 ea
G200	squeegee, head w/blades, black	1	\$29.99 ea
G008	piglet filters - pack of 25	1	\$6.29 ea
H908	wand, two piece, aluminum, flood extraction	1	\$62.99 ea
H141	cuff-lynx, 2" to 1.5" reducer	1	\$3.99 ea
AD127	stop sign, register your product	1	
ADM-7000	manual, floodhog	1	

NAME	DATE	TITLE
mytee	1/2013	Floodhog
PRODUCTS, INC.		
SIZE	DWG. NO.	REV
C	7000DX	
SCALE: 1:6	SHEET 1 OF 2	

PROPERTY AND CONFIDENTIAL INFORMATION CONTAINED IN THIS DRAWING IS THE PROPERTY OF mytee PRODUCTS, INC. ANY UNAUTHORIZED REPRODUCTION OR USE OF THIS DRAWING WITHOUT THE WRITTEN PERMISSION OF mytee PRODUCTS, INC. IS PROHIBITED.

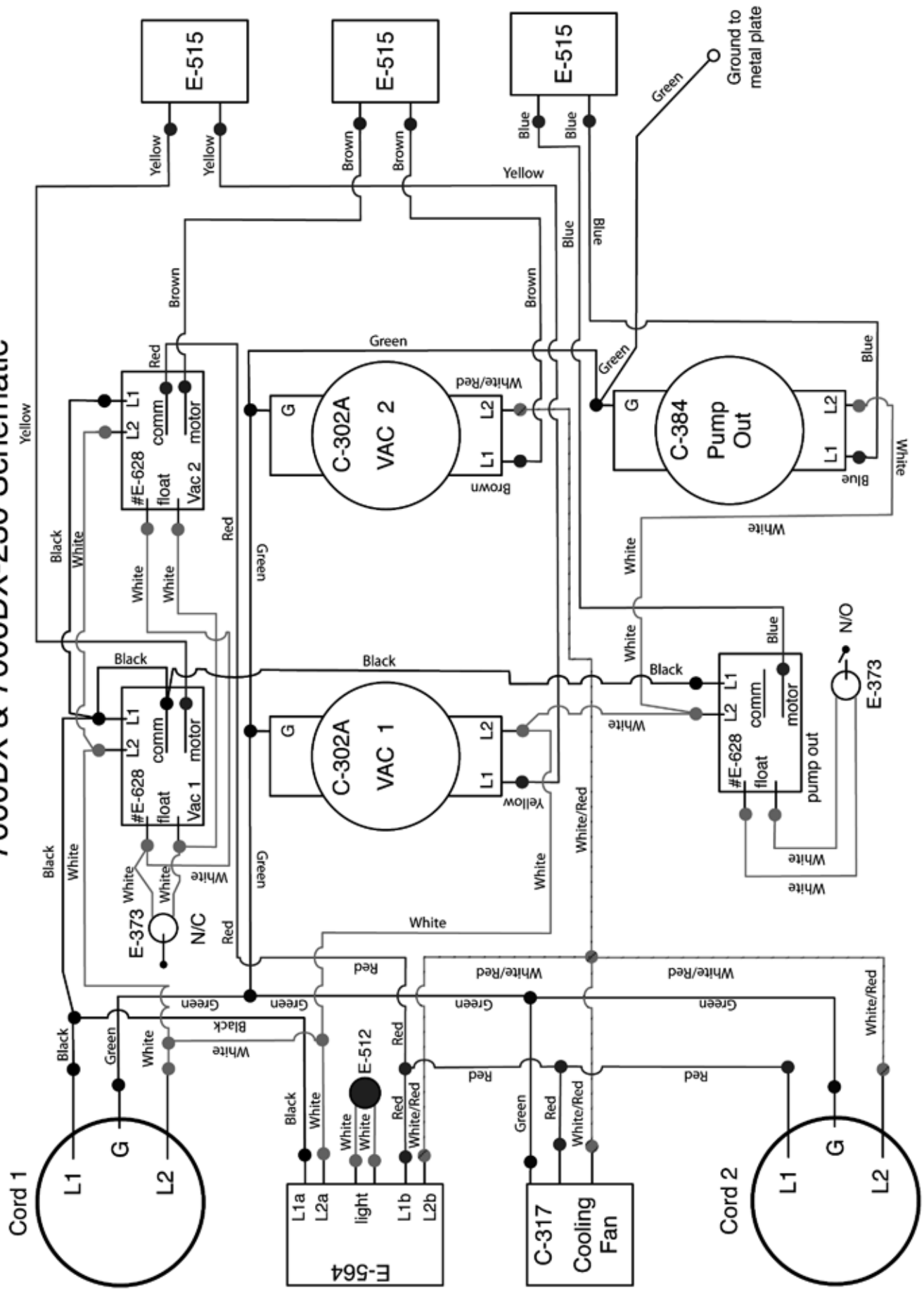
7000DX FLOOD HOG PARTS & PRICING



mytee PRODUCTS, INC. 888.625.1196		DATE	1/2013
NAME	M.L. Williams	TITLE	
DESIGN	Checked	Floodhog	
PROPERTY OF MYTEE PRODUCTS, INC. THIS DRAWING IS THE PROPERTY OF MYTEE PRODUCTS, INC. REPRODUCTION FOR ANY PURPOSE WITHOUT THE WRITTEN PERMISSION OF MYTEE PRODUCTS, INC. IS PROHIBITED.		SIZE	DWG. NO.
		C	7000DX
		SCALE	1:6
		SHEET 2 OF 2	

7000DX & 7000DX-230 FLOOD HOG WIRING DIAGRAM

7000DX & 7000DX-230 Schematic



Date:

Added to Wiki/Binder:

Date:

Checked By:

Date:

Created By:

GENERAL INFORMATION

Dear Customer:

Congratulations on the purchase of your new 7000DX Flood Hog™. As you are already aware, the scene of the equipment world is becoming more high tech, and we at Mytee Products Inc. strive to keep you on the cutting edge with superior quality and technology.

Keep in mind that the 7000DX Flood Hog™ is a machine, so neglect or abuse will cause unnecessary damage and void the warranty. However with simple maintenance the 7000DX will give quality performance for many years to come.

If warranty questions arise, please consult your user manual or get in touch with your distributor. If you have questions about maintenance, replacing parts or ordering parts, please call an authorized Mytee Products Inc. Service Center. To see an updated list, visit our website at www.mytee.com

Before you begin cleaning, please read your manual thoroughly.

Sincerely,
Mytee Customer Care Dept.

Grounding Instructions

This machine must be grounded. If it should malfunction or breakdown, grounding provides a path of least resistance for electrical shock. This machine is equipped with a cord having an equipment-grounding conductor and grounding plug. The plug must be plugged into an appropriate outlet that is properly installed in accordance with all local code and ordinances. Do not remove ground pin; if missing, replace plug before use.



DANGER

Improper connection of the equipment-grounding conductor can result in a risk of electric shock. Check with a qualified electrician or service person if you are in doubt as to whether the outlet is properly grounded. Do not modify the plug provided with the machine. If it will not fit the outlet, have a proper outlet installed by a qualified electrician.

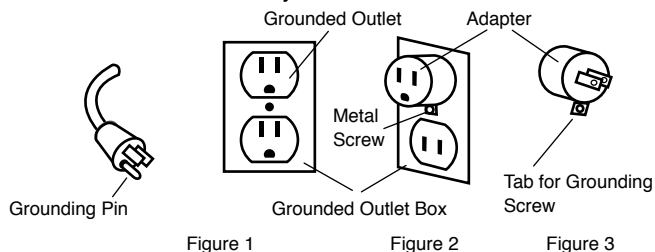
This appliance is for use on a nominal 120-volt circuit, and has a grounding plug that looks like the plug illustrated in Figure 1 below. A temporary adapter illustrated in Figures 2 and 3 may be used to connect this plug to a 2-pole receptacle as shown in Figure 2 if a properly grounded outlet is not available. The temporary adapter should be used only until a properly grounded outlet (Figure 1) can be installed by a qualified electrician. The green colored rigid ear, tab or the like extending from the adapter must be connected to a permanent ground such as a properly grounded outlet box cover. Whenever the adapter is used, it must be held in place by a metal screw. Grounding adapters are not approved for use in Canada.

Replace the plug if the grounding pin is damaged or broken.

The Green (or GreenYellow) wire in the cord is the grounding wire. When replacing a plug, this wire must be attached to the grounding pin only.

DO NOT use extension cords.

Please Note for America use only



Parts and Service

Repairs, when required, should be performed by Mytee service personnel or Mytee authorized Service Center using Mytee original replacement parts and accessories. Call Mytee for repair parts or service. Please specify the Model and Serial Number when discussing your machine.

Name Plate

The Model and Serial Number of your machine are shown on the Nameplate on the back panel of the machine. This information is needed when ordering repair parts for the machine. Use the space provided on the front cover to note the Model and Serial Number of your machine for future reference.

Unpacking the Machine

When the machine is delivered, carefully inspect the shipping carton and the machine for damage. If damage is evident, save the shipping carton so that it can be inspected by the carrier that delivered it. Contact the carrier immediately to file a freight damage claim.

Caution and Warnings

Symbols

Mytee uses the symbols below to signal potentially dangerous conditions. Always read this information carefully and take the necessary steps to protect personnel and property.



DANGER

Is used to warn of immediate hazards that will cause severe personal injury or death.



WARNING

Is used to call attention to a situation that could cause severe personal injury.



CAUTION

Is used to call attention to a situation that could cause minor personal injury or damage to the machine or other property. When using an electrical appliance, basic precautions should always be followed, including the following: Read all instructions before using this machine. This product is intended for commercial use only.



WARNING

To reduce the risk of fire, electrical shock, or injury:

1. Read all instructions before using equipment.
2. Use only as described in this manual. Use only manufacturer's recommended attachments.
3. Always unplug power cord from electrical outlet before attempting any adjustments or repairs.
4. Do not unplug by pulling on cord. To unplug, grasp the plug, not the cord.
5. Do not pull by cord. Do not close a door on cord or pull cord around sharp edges or corners.
6. Do not run appliance over cord. Keep cord away from heated surfaces.
7. Do not use with damaged cord or plug. If cord is damaged, repair immediately.
8. Do not place machine outdoors or on wet surfaces and or standing water.
9. Always unplug or disconnect the appliance from power supply when not in use.
10. Do not allow to be used as a toy. Close attention is necessary when used by or near children.
11. Do not use in areas where flammable or combustible material may be present.
12. Do not leave the unit exposed to harsh weather elements. Temperatures below freezing may damage components and void warranty.
13. Use only the appropriate handles to move and lift unit. Do not use any other parts of this machine for this purpose.
14. Keep hair, loose clothing, fingers, and all parts of the body away from all openings and moving parts.
15. Use extra care when cleaning on stairs.
16. To reduce the risk of fire or electric shock, do not use this machine with a solid-state speed control device.
17. The voltage and frequency indicated on the name plate must correspond to the wall receptacle supply voltage.
18. When cleaning and servicing the machine, local or national regulations may apply to the safe disposal of liquids which may contain: chemicals, grease, oil, acid, alkalines, or other dangerous liquids.
19. Do not leave operating unattended.

Pre-Operation

1. Remove furniture and other items from the area you are going to treat.
2. Make sure debris filter is clear and electrical cord is in good repair.
3. Make sure a 20A grounded wall outlet is available for cord. Do not use extension cord.

Operation

1. In front, attach one end of the first vacuum hose to a wand (using scalloped or squeegee vacuum head), the other end to the on-board debris filter.
2. The filter protects vacuum motor from damaging debris. Keep it clean by removing vacuum hose and turning lid counter-clockwise to open. Remove stainless steel basket and gently rinse with water. Dry with a soft cloth. Replace basket, lid and hose.
3. In back, attach the second vacuum hose bearing cam lock to the Auto Pump-out fitting. Secure the hose to the fitting using the cam lock. Push the hose cuff onto the fitting, making sure the silver ears and rings are extended forward. Pull the ears down using the rings until connection is tight. Place the end of the hose in a location

where dirty water can drain.

4. **7000DX model** - Two power cords are located in the back of the machine. To power Vacuum 1 and Pump, plug in the top cord. To power the Vacuum 2, plug in the bottom cord. Plug each of the two power cords into two separate, 20A grounded wall outlets. Do not use extension cords.
5. **7000DX model** - Three switches are located on the lower left side of the machine. To use the vacuum 1, turn on the Vacuum 1 switch. To use Vacuum 2, turn on the Vacuum 2 switch. To use the pump, turn on the Pump switch.
6. When not using the auto pump-out, an internal ball float will automatically stop the vacuum when the tank fills. Empty the tank by using the back drain valve and spout.
7. Place wand over flooded area and begin extracting.
8. If pump must be accessed during extraction, use the recovery tank lid on top of the machine. Pull the lever up and turn counter clockwise until it faces the side of the machine. Pull up and take the lid off. Use reverse procedure to replace.
9. If using chemicals, a space for storage of quart or gallon bottles is located on top of the machine.
10. When the job is finished, turn off switched and unplug power cords. Remove hoses.

After Use

1. Unplug.
2. Inspect hoses and replace if damaged.
3. Inspect filter and clean.
4. Open recovery tank to promote air circulation
5. Make sure machine and hoses are completely drained and dry.
6. Store the machine in a clean, dry place.

Maintenance Schedule

Maintenance item	Daily	Once a week
Clean and inspect Tanks	x	
Clean and inspect Hoses	x	
Inspect filters	x	
Check electrical cord	x	
Clean machine with all purpose cleaner and cloth	x	
Inspect vacuum hoses for holes and loose cuffs		x
Lubricate wheels with water-resistant oil		x
Inspect machine for water leaks and loose hardware		x

Trouble Shooting

There is no power.

1. Plug machine in proper outlet.
2. Check circuit breaker; reset circuit breaker, other items should not run on the same circuit as machine. Outlet must be a 20-amp circuit. For 7000DX models, two separate 20-amp circuits are required.

Pump does not work properly.

1. Check pump wire. May need to reconnect wire.
2. Switch plate switch may need to be replaced.
3. If pump motor brushes are worn, replace pump.
4. Float switch obstructed. Clean.

Vacuum motor does not work properly.

1. Check that hose is tightly connected.
2. Close drain hose valve completely.
3. Secure the vacuum tank tightly.
4. If water is coming out of vacuum motor, use a low foaming detergent.

FAQs

Q: How much does the 7000DX weigh and what are the shipping dimensions?

A. **7000DX** weighs 101 pounds - Box dimensions are 20" x 30" x 48". Must ship motor freight.

Q: What comes standard with the 7000DX?

A: The 7000DX comes with two 25' vacuum hoses (H294), a wand (H908), a vacuum head (P570), a squeegee vacuum head (G200) a 2" x 1.5" Cuff Lynx™ (H141) and pack of filters (G008).

Q: Where do I plug the machine in?

A: **7000DX** - Plug each power cord into a separate, 20A grounded wall outlet **Outlets must be on two separate breakers.** When the amber light on the switch plate illuminates, the machine is on separate circuits (not necessarily 20A circuits). You can identify the primary cord by the yellow tag.

Q: Is there anything I can do to increase the expected life of my machine?

A: Running the vacuum motors with the tank empty and lid off will allow excess

moisture in the vacs to dry off.

Warranty

MYTEE LIFETIME LIMITED WARRANTY POLICY

Mytee Products, Inc. endeavors to provide high quality products and product support to its customers and therefore backs up all of its new products purchased from Mytee Products Inc. ("Mytee") or any authorized Mytee distributor/service center with this lifetime limited warranty. This limited warranty begins on the date of the customer's purchase and is valid and available to the original purchaser with proof of purchase, and is not transferable. Mytee's products are for commercial use only and are not intended for personal, family or household uses.

HOUSING LIMITED LIFETIME WARRANTY: Mytee warrants for life that its rotationally-molded housings will be free from manufacturing defects. This warranty covers the cost of replacement or repair only and does not cover shipping or labor costs.

WEAR PARTS 90-DAY LIMITED WARRANTY: Mytee will replace all wear parts for 90 days from the date of original purchase. "Wear parts" are items which wear out as a result of usage or the passage of time and are consumed despite attempts to maintain them, such as gaskets, wheels, brass, cords, wires, electrical terminals, hoses, switches, thermostats, plastisol parts, filters, bearings, brushes, solenoids, o-rings, bulbs, heating elements, castors, or other parts deemed wear items in Mytee's sole discretion. This warranty covers the cost of replacement only and does not cover shipping or labor costs.

PUMP, VACUUM MOTOR AND HEATER TWO-YEAR LIMITED WARRANTY: Mytee warrants that pumps, vacuum and floor machine motors, and heaters will be free from manufacturing defects, defects in workmanship, and defects in material for two (2) years from the date of original purchase. This warranty does not apply and is void if the pump, vacuum motor, or heater has worn brush motors, water damage, chemical build-up, chemical damage, or evidence of abuse, neglect or tampering. This warranty covers the cost of replacement or repair only and does not cover shipping or labor costs.

HOWEVER, OTHER THAN SET FORTH HEREIN, MYTEE GIVES NO WARRANTY, EXPRESS OR IMPLIED, AS TO DESCRIPTION, QUALITY, MERCHANTABILITY, FITNESS FOR ANY PARTICULAR PURPOSE, PRODUCTIVENESS, INFRINGEMENT, OR OTHER MATTER, OF ANY GOODS WHICH MYTEE SHALL SUPPLY. THERE ARE NO WARRANTIES WHICH EXTEND BEYOND THE DESCRIPTION ON THE FACE HEREOF. MYTEE SHALL IN NO WAY BE RESPONSIBLE FOR THE PROPER USE AND APPLICATION OF THE GOODS. MYTEE NEITHER ASSUMES NOR AUTHORIZES ANY OTHER PERSON TO ASSUME FOR MYTEE ANY OTHER LIABILITY IN CONNECTION WITH THE SALE OF MYTEE'S GOODS. THIS LIMITED WARRANTY POLICY MAY BE CHANGED OR WITHDRAWN BY MYTEE AT ANY TIME WITHOUT NOTICE.

LIMITATION OF DAMAGES: THE REMEDY OF REPLACEMENT OR REPAIR OF ANY DEFECTIVE GOODS SHALL BE THE EXCLUSIVE REMEDY UNDER ANY WARRANTY MADE BY MYTEE, WHETHER EXPRESS OR IMPLIED. IN NO EVENT SHALL MYTEE BE LIABLE FOR ANY INCIDENTAL OR CONSEQUENTIAL DAMAGES, PROPERTY DAMAGES, OR PERSONAL INJURIES.

All limited warranties are void for, and Mytee does not warrant in any way, any product that evidences misapplication, improper installation, abuse, lack of maintenance, negligence in use or care, abnormal use, alteration of design, modification, use of incompatible or corrosive chemicals, use in a rental service, and/or servicing, installation of parts, or repairs by anyone other than Mytee or a Mytee authorized distributor or service center. Mytee may make changes in products it manufactures and markets at any time; these changes are made without obligation to change, retrofit, or upgrade any product previously sold or manufactured.

Mytee has no obligation to honor the limited warranties set forth herein unless the original purchaser, promptly upon discovering the warranty claim and prior to continuing to use the product, contacts Mytee or a Mytee authorized distributor or service center to describe the claim and to receive and follow instructions for documenting and resolving the claim. In addition, the purchaser must provide the product to which the claim applies to Mytee or a Mytee authorized distributor or service center for a thorough inspection. In addition, the purchaser must provide/return the product intact, unmodified, with all of its original parts.

If any provision or portion of this limited warranty policy is found to be unenforceable, then the remaining provisions and portions shall remain valid and enforceable.

If any provision or portion of this limited warranty policy is found to be limited by law, then that provision or portion shall be construed to make it effective within the bounds of law. For example, if there are legal limitations on the duration of warranties, the warranties made herein shall be construed to have the minimum duration

GENERAL INFORMATION

required by law, or, if there are legal limitations of exclusion of remedies, the exclusions made herein shall be construed to apply to the fullest extent possible without violating the law.

The validity, construction and performance of this warranty policy shall be governed by the laws of the State of California, without respect to conflicts of laws principles. The exclusive jurisdiction of any legal action arising from or related to this warranty policy shall be in the State of California and no legal action shall be commenced elsewhere.

Return Material Authorization Procedure

It is the responsibility of any Authorized Service Center (ASC) or Distributor with written authorization to ensure the Customers equipment is repaired as soon as possible. Only Mytee Products Inc. or it's authorized dealers with written authorization, service centers, and agents may make warranty repairs on these products. All others do so at their own risk and expense.

The Distributor must follow Mytee Products, Inc. standard RMA procedure:

1. When a repair falls within the Warranty time period for a piece of equipment, the Distributor will fill out a RMA/Warranty claim form. This form will act as a repair order to replace any defective parts.
2. All defective parts must be returned to Mytee Products, Inc. with the RMA/claim form for evaluation at the customer's expense. This shipping is non-refundable. All warranty claims are subject to an evaluation by Mytee Products, Inc. to determine if warranty will be approved. Any credit for repair and/or parts will only be issued upon evaluation and approval from Mytee Products, Inc.
3. When Warranty is approved, the Distributor's account will be credited for the replacement part(s). Mytee Products, Inc. will ship the warranted replacement part(s) to the Distributor prepaid. If Warranty is denied the Distributor's account will not be credited for any parts sent for this claim.

NOTES



Mytee Products Inc.
13655 Stowe Dr.
Poway, Ca. 92064
www.mytee.com
FX 858.679.7814

© 2013 Mytee Products Inc.
Printed in the U.S.A.