

Eagle Power

Air Mover

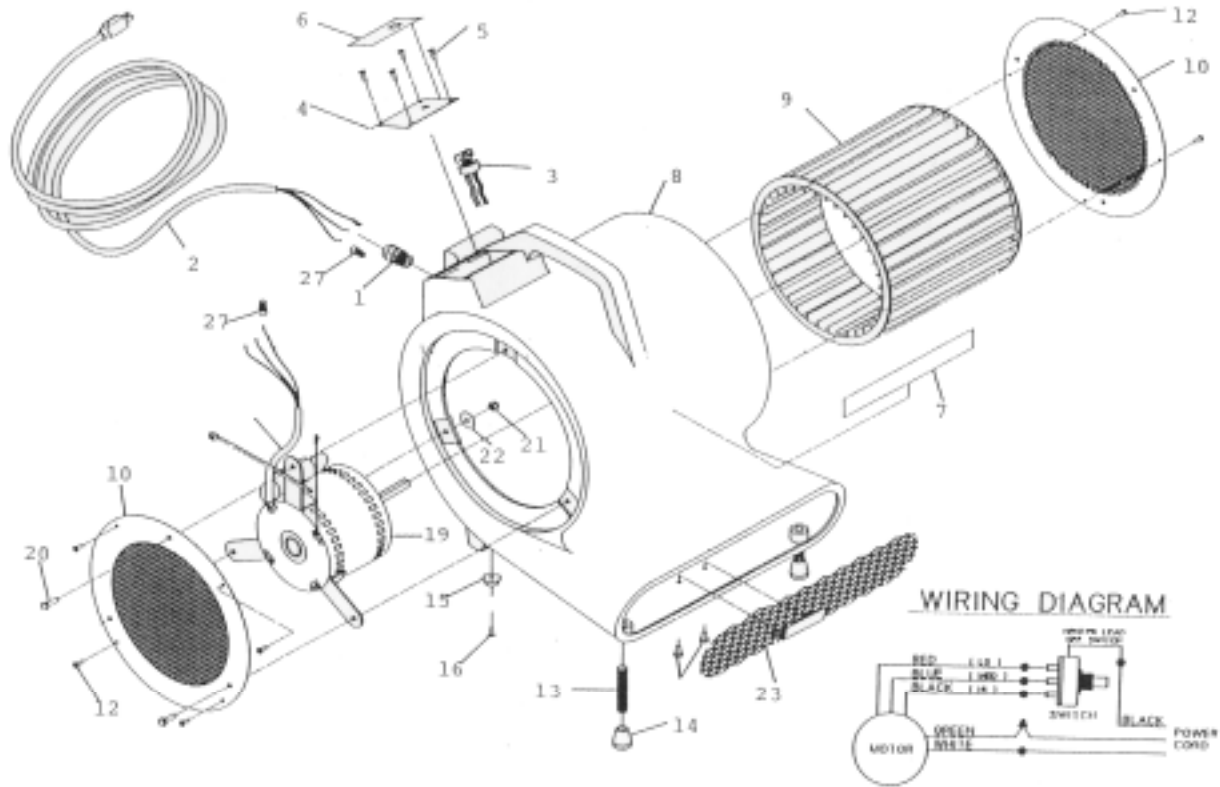


PARTS MANUAL

REV A

January 2003

AIR MOVER

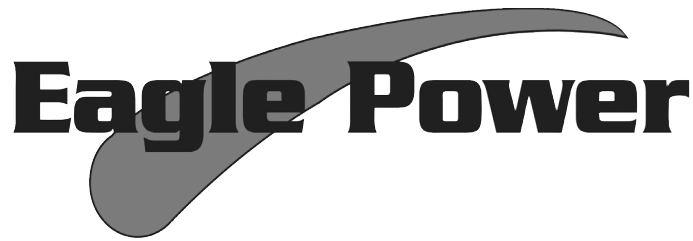


AIR MOVER

| POS. | PART # | DESCRIPTION | QTY. |
|------|--------|-----------------------------|------|
| 1 | 2428 | Strain relief and nut | 1 |
| 2 | 2444 | 25 ft. 18/3 power cord | 1 |
| 3 | 2406 | Rotary switch (4 positions) | 1 |
| 4 | 2410 | Switch plate | 1 |
| 5 | 1058 | #6 x 1/2" tapping screw | 4 |
| 6 | 2412 | Switch plate decal | 1 |
| 7 | 2011 | Crusader decal | 1 |
| 8 | 2400 | Housing | 1 |
| 9 | 2402 | Blower fan | 1 |
| 10 | 2401A | Side Screen | 2 |
| 12 | 1025 | #10 x 1/2" tapping screw | 6 |
| 13 | 2407 | 3" rubber threaded 1/2" leg | 2 |
| 14 | 2408 | Rubber leg cap | 2 |
| 15 | 2409 | Rubber stand off | 2 |
| 16 | 1025 | #10 x 3/4" tapping screw | 2 |
| *18 | 2404 | Capacitor | 1 |

AIR MOVER

| POS. | PART # | DESCRIPTION | QTY. |
|-------------|---------------|-----------------------------------|-------------|
| 19 | 2405C | 1/2 HP motor | 1 |
| 20 | 1018 | 1/4-20 x 1" hex cap bolt | 4 |
| 21 | 1019 | 1/4-20 nylok nut | 4 |
| 22 | 1054 | 1/4" flat washer | 4 |
| 23 | 2411 | Front screen | 1 |
| *25 | 1017 | 10-24 x 5/8" screw for 1056 clamp | 1 |
| *26 | 1056 | 1/2" clamp | 1 |
| 27 | 1029 | Wire nut | 2 |
| *28 | 2413 | Nameplate | 1 |
| *29 | 1009 | 10-24 nut for clamp | 1 |
| *30 | 2416 | Front screen bracket | 1 |
| *Not shown | | | |



Warranty Policy

Limited Warranty

Eagle Power Products (EPP) warrants new cleaning equipment against defects in material and workmanship under normal use and service to the original purchaser as detailed below.

10 Years

Subject to the conditions stated below, EPP warrants polyethylene tanks and housings to be free from defects in materials and workmanship for a period of ten years.

3 Years

Subject to the conditions stated below, EPP warrants all automatic scrubber components to be free from defects in materials and workmanship for a 3-year period. Parts replaced or repaired are warranted for the remainder of the original warranty period.

1 Year

Subject to the conditions stated below, EPP warrants all other cleaning equipment components to be free from defects in materials and workmanship for a 1-year period. Parts replaced or repaired are warranted for the remainder of the original warranty period. Batteries are prorated for one year.

EPP will furnish and charge for replacement parts, including transportation, to the original owner through an EPP authorized service center. If the part is returned within 30 days and is found defective, the owner will be credited for the cost of the replacement part including shipping and handling.

Labor charges are covered for one year from the date of purchase if provided by an authorized EPP service center. Travel is covered for 90 days for battery operated equipment only.

Wear items exempt from warranty include belts, carbon brushes, power cords, wheels, pad drivers, clutch plates, brushes, pads, handle grips, filters, screens, throttle cables, and squeegees.

This warranty shall not apply to failures caused by misuse or abuse, improper maintenance as stated in the operation manuals, use of unauthorized repair parts, repairs by other than an EPP authorized service center, and damage in transit.

EPP disclaims and denies any liability for any direct, indirect, special incidental or consequential damage which may be suffered as a result of sale, delivery, servicing, use, loss of any product, downtime, labor, freight, or other charges not expressly included herein.

Date Purchased: _____

Model Number: _____

Serial Number: _____

Please be sure to record this information. This information will be necessary for future warranty claims.



1174 Northland Drive Mendota Heights, MN 55120
651.686.5399 Fax 651.686.5695
www.eaglepower.com

Eagle Power Products Sales and Service Provided by: